

# **DTI** 8000

DESIGN TOOL INC.

## **AUTOMATIC NAIL GLIDE GUN**

• FAST • EFFICIENT • ACCURATE • AFFORDABLE



*Fast,  
Modern Way*



**MODEL #8000-001 AUTOMATIC FEED  
NAIL GLIDE GUN**

*Slow, Old Fashioned Way*

# **DTI**

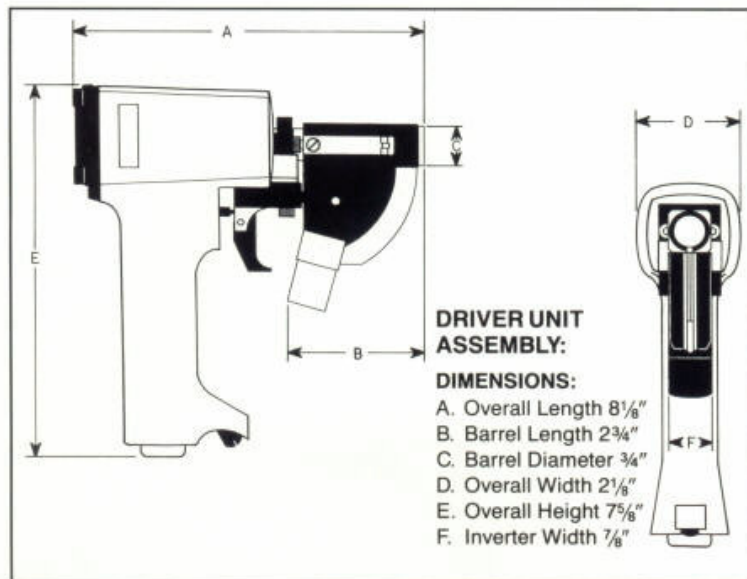
**DESIGN TOOL INC.**  
MANUFACTURER OF AUTOMATED  
ASSEMBLY EQUIPMENT

(704) 328-6414 • CONOVER, NORTH CAROLINA • 28613

# **DTI 8000** AUTOMATIC FEED DESIGN TOOL INC. NAIL GLIDE GUN

## **SPECIAL FEATURES:**

- Light-weight, reduces operator fatigue
- Unique barrel design will drive nail straight every time
- Adjustable driving power for varying hardness of frame material
- Machine will not waste nail glides
- Operator may drive up to 60 nail glides per minute
- Speeds production—one operator may do the work of four
- Minimum maintenance



## **SPECIFICATIONS:**

### **APPLICATION:**

- Attaching nail glides to bottom of furniture

### **FASTENERS:**

- Standard nail glides

### **BASE UNIT ASSEMBLY:**

- Weight approx. 85 lbs.
- Width 14 inches
- Length 20 inches
- Height 8 $\frac{3}{4}$  inches

### **FEEDER BOWL:**

- Diameter 12 inches
- Capacity approx. 2000 glides

### **DRIVER UNIT ASSEMBLY:**

- Weight approx. 3 $\frac{3}{4}$  lbs.
- Modified Bostitch driver model T29

### **ELECTRICAL SUPPLY:**

- 110 volts (electricity only required to operate feeder bowl)

### **AIR SUPPLY:**

- Air pressure 45 to 55 PSI (determined by hardness of material)
- Air filtration—50 micron
- Hose size— $\frac{1}{4}$ " I.D.



**DESIGN TOOL INC.**

*Manufacturer of Automatic Assembly Equipment*

1607 NORFOLK PLACE S.W. • CONOVER, NORTH CAROLINA • 28613 • (704) 328-6414 • FAX (704) 328-4127